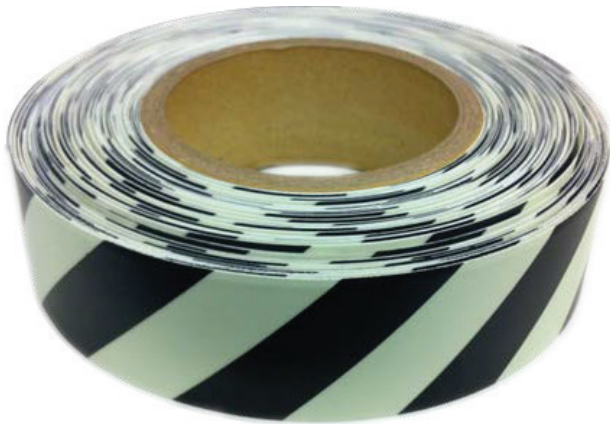


# G300F-OB PHOTOLUMINESCENT OBSTRUCTION TAPE

The G300F-OB Obstruction Tape is easy to install and remains visible for hours in complete darkness. Ecoglo® G300F-OB is used to identify obstructions within an egress pathway. The G300F-OB is designed to last with a premium integrated adhesive which provides a superior bond to a variety of surfaces. The non-radioactive, non-toxic photoluminescent tape is visible for many hours after the lights go out, having been charged from sunlight or artificial light.

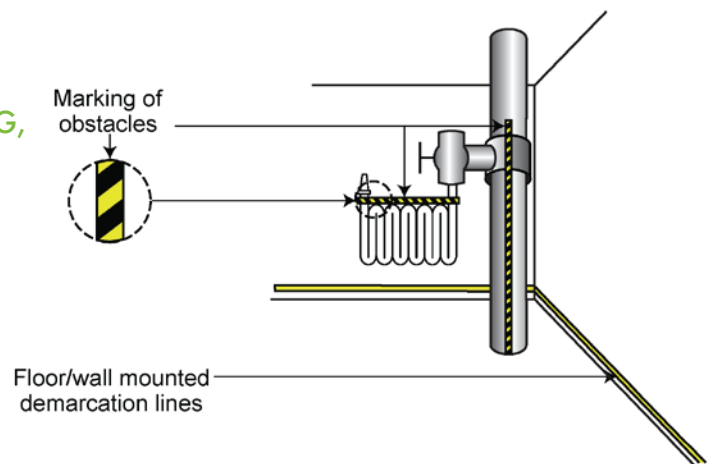


## HOW TO INSTALL:

- Installation surface should be smooth, cleaned of any contaminants and completely dried before tape is applied.
- Fresh paint must be allowed to cure before tape is installed. Loose paint must be removed from painted surfaces.
- Surface preparation is required. Do not stretch tape when applying on installation surface.
- At room temperature, the adhesive takes at least 24 hours to gain maximum bond strength
- Weight: 0.398 lbs/Roll.

## THE ECOGLO G300F-OB MEETS THE FOLLOWING BUILDING, FIRE & LIFE SAFETY CODES:

- IBC/IFC 2009, 2012 (Section 1024 – Luminous Egress Path Markings) and 2015 (Section 1025)
- NFPA 101-2009 and 170-2009
- NYC LL 141 of 2013 (Section BC 1024 Luminous Egress Path Markings)
- NYC LL 26 of 2004 Reference Standard 6-1
- California Building Code Section 1024 Exit Passageways
- Connecticut State Fire Safety Code Section 1026 Floor Proximity Egress Path Markings



**BENEFITS AND TECHNICAL DETAILS:** Ecoglo G300F-OB meets or exceeds the performance criteria specified in the following tests or standards:

### BRIGHTNESS

High visibility in dark or light conditions.

- ASTM E2073-02, Standard Test Method for Photopic Luminance of Photoluminescent (Phosphorescent) Markings.
- ISO 17398:2004 Clause 7.11, Safety Colors and Safety Signs- Classification, Performance and Durability of Safety Signs.
- UL 1994 Listed – IMZ1.SA3353
- UKLC 572 Listed – IMZ17.SA3353

### WASHABILITY

Easy Cleaning.

- ASTM D4828-94(2003), Standard Test Methods for Practical Washability of Organic Coatings.

### RADIOACTIVITY

No radioactivity or toxicity.

- Toxicity: Bombardier SMP 800-C (2000), Toxic Gas Generation Test.

### FLAMMABILITY

Does not burn.

- ASTM E162-02, Standard Test Method for Surface Flammability of Materials Using a Radiant Heat Energy Source.



SA33553

UL 1994 AND  
ULC 572 LISTED



BIMready

CONTACT ECOGLO INC. FOR A QUICK QUOTE OR TO OBTAIN MORE INFORMATION ABOUT OUR EMERGENCY LIGHTING PRODUCTS.

**ecoglo®**  
VISIBLY BETTER

888-679-4022

241 Main Street, #100, Buffalo, NY 14203

www.ecoglo.us