

Compliance Guide

2013 NYC Local Law 141 Section BC 1024 LUMINOUS EGRESS PATH MARKINGS

1024.1 General

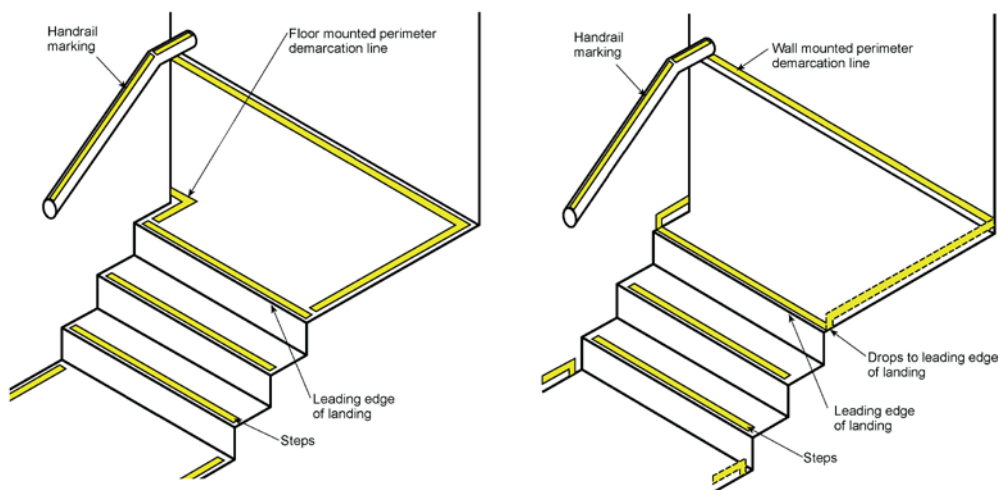
Approved luminous egress path markings delineating the exit path shall be provided in all high-rise buildings subject to Section 403.5 having occupied floors located more than 75 feet (22 860 mm) above the lowest level of Fire Department vehicle access in accordance with Sections 1024.1 through 1024.9.

Exceptions:

1. Luminous egress path markings shall not be required on the level of exit discharge in lobbies that serve as part of the exit path in accordance with Section 1027.1, Exception 1.
2. Luminous egress path markings shall not be required in areas of open parking garages that serve as part of the exit path in accordance with Section 1027.1, Exception 3.

1024.2 Required Markings

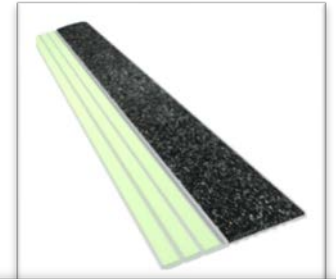
Egress path markings shall be provided in exit enclosures, including vertical exit enclosures, horizontal exits, and exit passageways, in accordance with Sections 1024.2.1 through 1024.2.9. Entrances to exit enclosures shall be provided with exit signs in compliance with Section 1024.2.6.1.



1024.2.1 Steps

A solid and continuous stripe shall be applied to the horizontal leading edge of each step and shall extend for the full length of the step. Outlining stripes shall have a minimum horizontal width of 1 inch (25 mm) and a maximum width of 2 inches (51 mm). The leading edge of the stripe shall be placed at a maximum of ½ inch (13 mm) from the leading edge of the step and the stripe shall overlap the leading edge of the step by not more than ½ inch (13 mm) down the vertical face of the step. Outlining stripes on steps shall comply with Figure S101.1(2) of Appendix S.

Exception: The minimum width of 1 inch (25 mm) shall not apply to outlining stripes listed in accordance with UL 1994.



CLICK HERE
To View Code Compliant Ecoglo
Step Edge Products

1024.2.2 Landings

The leading edge of landings shall be marked with a stripe consistent with the dimensional requirements for steps. Stripes on landings shall comply with Figure S101.1(3) of Appendix S.

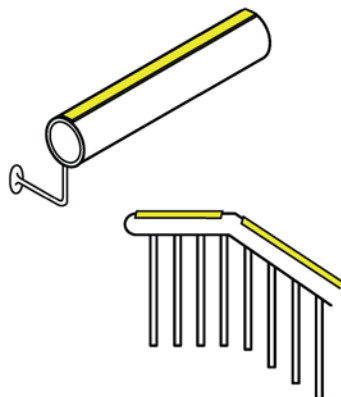
1024.2.3 Handrails

All handrails and handrail extensions shall be marked with a solid and continuous stripe having a minimum width of 1 inch (25 mm). The stripe shall be placed on the top surface of the handrail for the entire length of the handrail, including extensions and newel post caps. Where handrails or handrail extensions bend or turn corners, the stripe shall not have a gap of more than 4 inches (102 mm). Strips on handrails shall comply with Figure S101.1(4) of Appendix S.

Exception: The minimum width of 1 inch (25 mm) shall not apply to outlining stripes listed in accordance with UL 1994.



CLICK HERE
To View Code Compliant Ecoglo
Handrail Marking Products



1024.2.4 Perimeter demarcation lines

Stair landings and other floor areas within exit enclosures, with the exception of the sides of steps, shall be provided with solid and continuous demarcation lines on the floor or on the walls or a combination of both. The stripes shall be 1 to 2 inches (25 mm to 51 mm) wide with interruptions not exceeding 4 inches (102 mm).

Exception: The minimum width of 1 inch (25 mm) shall not apply to outlining stripes listed in accordance with UL 1994.

1024.2.4.1 Floor-mounted demarcation lines

Perimeter demarcation lines shall be placed within 4 inches (102 mm) of the wall and shall extend to within 2 inches (51 mm) of the markings on the leading edge of landings. The demarcation lines shall continue across the floor in front of all doors. Perimeter demarcation lines shall comply with Figure S101.1(5) of Appendix S.

Exceptions:

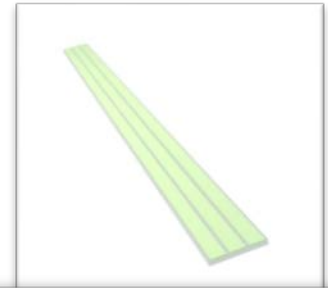
1. Demarcation lines shall not extend in front of exit doors that lead out of an exit enclosure and through which occupants must travel to complete the exit path.
2. Demarcation lines shall be continuous but need not extend into an area such as a dead end or an obstruction that is selected not to be outlined because it is not part of the egress path.

1024.2.4.2 Wall-mounted demarcation lines

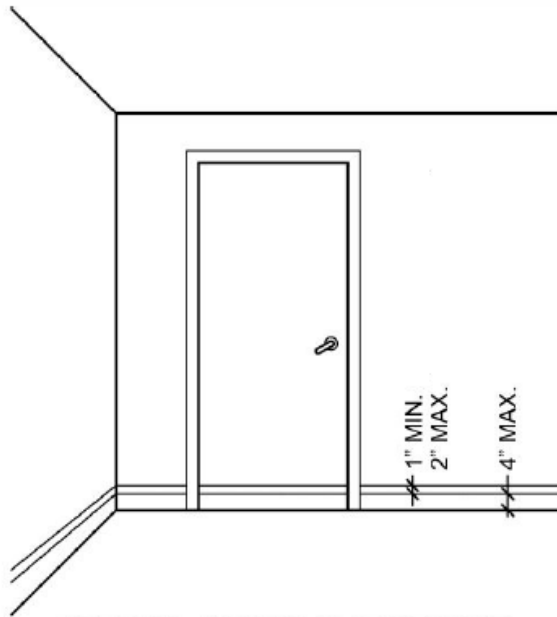
Perimeter demarcation lines shall be placed on the wall with the bottom edge of the stripe no more than 4 inches (102 mm) above the finished floor. At the top or bottom of the stairs, demarcation lines shall drop vertically to the floor within 2 inches (51 mm) of the step or landing edge. Demarcation lines on walls shall transition vertically to the floor and then extend across the floor where a line on the floor is the only practical method of outlining the path. Where the wall line is broken by a door, demarcation lines on walls shall continue across the face of the door or transition to the floor and extend across the floor in front of such door. Wall-mounted demarcation lines shall comply with Figure S101.1(8) of Appendix S.

Exceptions:

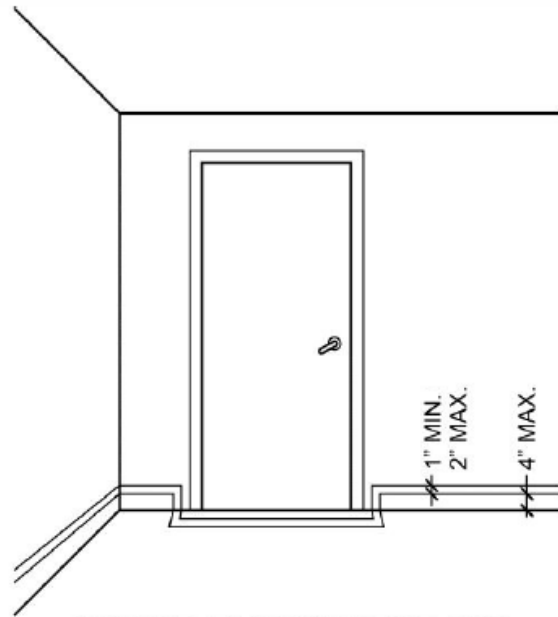
1. Demarcation lines shall not extend in front of exit doors that lead out of an exit enclosure and through which occupants must travel to complete the exit path.
2. Perimeter demarcation lines are not required on the sides of steps.
3. Perimeter demarcation lines are not required where an area such as a dead end or an obstruction is selected not to be outlined because it is not part of the egress path, the demarcation lines shall not be required in such area provided that a demarcation line is continuous across the floor.



CLICK HERE
To View Code Compliant Ecoglo
Perimeter Marking Products



OPTION A: ACROSS FACE OF DOOR



OPTION B: TRANSITION TO FLOOR

1024.2.4.3 Transition

Where a wall-mounted demarcation line transitions to a floor-mounted demarcation line, or vice versa, the wall-mounted demarcation line shall drop vertically to the floor to meet a complementary extension of the floor-mounted demarcation line, thus forming a continuous marking. Transitioning demarcation lines shall comply with Figure S101.1(7) of Appendix S.

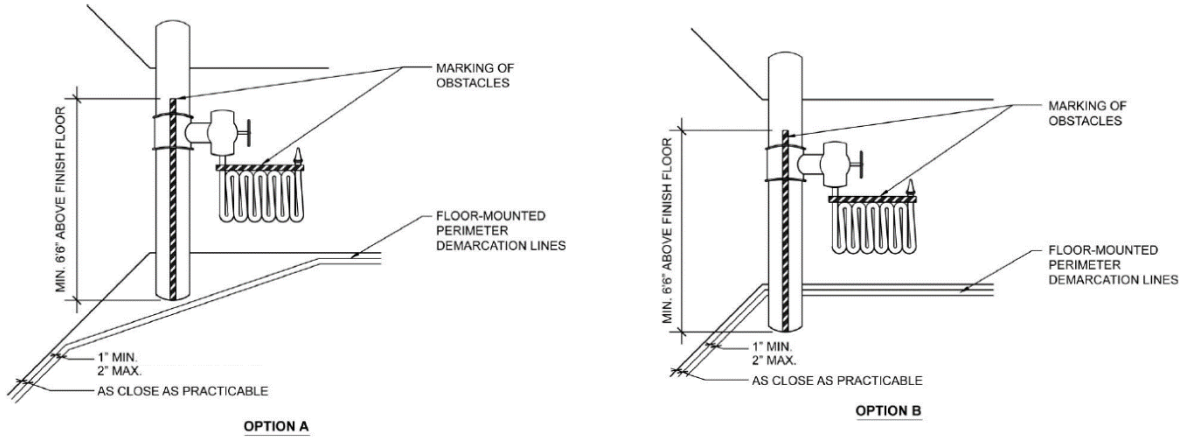
1024.2.5 Obstacles

Obstacles at or below 6 feet 6 inches (1981 mm) in height and projecting more than 4 inches (102 mm) into the egress path shall be outlined with markings no less than 1 inch (25 mm) in width comprised of a pattern of alternating equal bands, of luminescent luminous material and black, with the alternating bands no more than 2 inches (51 mm) thick and angled at 45 degrees (0.79 rad). Obstacles shall include, but are not limited to, standpipes, hose cabinets, wall projections and restricted height areas. However, such markings shall not conceal any required information or indicators including, but not limited to, instructions to occupants for the use of standpipes. Markings on obstacles shall comply with Figure S101.1(6) of Appendix S.



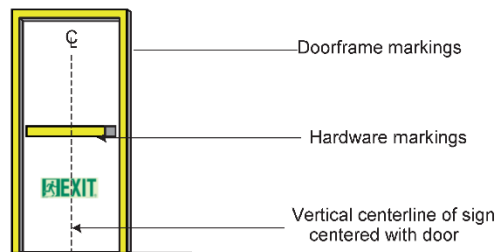
CLICK HERE

**To View Code Compliant Ecoglo
Obstruction Marking Products**



1024.2.6 Doors from exit enclosures

Doors through which occupants within an exit enclosure must pass in order to complete the exit path, and doors serving horizontal exits, shall be provided with markings complying with Sections 1024.2.6.1 through 1024.2.6.3 of this chapter and Figures S101.1(11) and S101.1(12) of Appendix S. Exit discharge doors shall further comply with Section 1024.2.6.1.2.



1024.2.6.1 Emergency exit symbol



The doors shall be identified by a low-location luminous emergency exit symbol complying with Section 1024.6.1. The exit symbol shall be a minimum of 4 inches (102 mm) in height and shall be mounted on the door itself in accordance with Section 1024.2.6.1.1. Such signs shall be no higher than 18 inches (457 mm) above the finished floor.



CLICK HERE
To View Code Compliant Ecoglo
Directional Signage Products

1024.2.6.1.1 Mounting location. The vertical centerline of the sign shall be centered with the door, or shall be in that half of the door, either the right or left, that contains the latch. In case of double-doors, both doors shall be marked and the signs shall be centered with the doors. Arrows may be omitted on door-mounted signs. Door-mounted signs shall comply with Figure S101.1(1) in Appendix S.

1024.2.6.1.2 Exit discharge doors. At doors serving as exit discharge, a sign in compliance with Section 1024.2.6.1.1 shall contain supplemental directional text such as “FINAL EXIT”, “EXIT THROUGH LOBBY”, or “EXIT TO STREET” in sans serif letters one-half as high as the word EXIT. Exit discharge door sign shall comply with Figure S101.1(13) in Appendix S.

1024.2.6.2 Door hardware markings

Door hardware shall be marked with no less than 16 square inches (406 mm²) of luminous material. This marking shall be located behind, immediately adjacent to or on the door handle and/or escutcheon. Where a panic bar is installed, such material shall be no less than 1 inch (25 mm) wide for the entire length of the actuating bar or touchpad. Additional hardware markings may include ANSI Z 535.1 safety green graphics such as arrows indicating door handle turning directions, or emergency egress symbols as per NFPA 170, the word “EXIT”, the word “PUSH”, and similar egress-related symbols provided the minimum 16 square inches (406 mm²) of luminous materials is maintained.



CLICK HERE
To View Code Compliant Ecoglo Door Hardware Marking Products

1024.2.6.3 Door frame markings

The top and sides of the door frame shall be marked with a solid and continuous 1 inch to 2 inch (25 mm to 51 mm) wide stripe. Where the door molding does not provide sufficient flat surface on which to locate the stripe, the stripe shall be permitted to be located on the wall surrounding the frame.



CLICK HERE
To View Code Compliant Ecoglo Door Frame Marking Products

1024.2.7 Directional signage upon entering an exit enclosure

Luminous directional signs designed in compliance with Section 1024.6.1 shall be placed in the exit enclosure at every entrance thereto such that they are readily visible when the doors are in the open and closed positions. Such directional sign shall include an arrow indicating the direction of travel. The word “EXIT” shall not be required. The signs shall be located such that their top edge is within 18 inches (457 mm) above the finished floor. Directional signs shall comply with Figure S101.1(9) in Appendix S.

1024.2.8 Directional signage at transfer levels and where egress direction is not clear

Luminous directional signs designed in compliance with Section 1024.6.1 and installed at heights indicated in Section 1024.2.7 shall be placed on the wall at transfer levels and wherever egress direction is not clear including at turns along horizontal extensions; at transitions from vertical to horizontal direction and at a “T” intersection. These directional signs shall include arrows indicating the direction of travel. The word “EXIT” shall not be required. Directional signs at transfer levels shall comply with Figure S101.1(9) in Appendix S.



1024.2.9 “No Exit” sign

Luminous signs shall be placed on doors along the egress path that lead to dead ends (mechanical rooms, storage closets, etc.). Such signs shall contain sans serif lettering at least 1 inch (25 mm) high

reading “NO EXIT”, with the “NO” centered above the “EXIT”. The “NO” may be a larger size than the “EXIT” for clarity. The nonluminous portion of such signs shall not be green. No-exit signs shall comply with Figure S101.1(10) in Appendix S.



1024.3 Uniformity

Placement and dimensions of markings shall be consistent and uniform throughout the same exit enclosure.

1024.3.1 Solid and continuous

For the purposes of this section, solid and continuous means without gaps or interruption, except as required for the control of expansion and contraction. A series of dashes, chevrons, dots, or other similar patterns is not solid and continuous. Luminous materials shall be considered solid and continuous if they occasionally contain the following safety green (ANSI Z 535.1) symbols or text:

1. The word “EXIT”;
2. Egress symbol as per NFPA 170;
3. Direction arrows as per NFPA 170; or
4. Other text or symbols as approved by the commissioner.

1024.4 Self-luminous and photoluminescent

Luminous egress path markings shall be permitted to be made of any material including paint, provided that an electrical charge is not required to maintain the required luminance. Such materials shall include, but are not limited to, self-luminous materials and photoluminescent materials. Materials shall comply with either:

1. UL 1994; or
2. ASTM E 2072, except that the charging source shall be 1 foot-candle (11 lux) of fluorescent illumination for 60 minutes, and the minimum luminance shall be 30 millicandelas per square meter at 10 minutes and 5 millicandelas per square meter after 90 minutes.



1024.4.1 Labeling

All approved materials shall be labeled and identified with the manufacturer's name, model number and the name of the approved agency in a minimum of 6 point type with at least one such identification on each piece of material installed. However, labeling is not required for pieces of material less than 1 foot in length that are placed in immediate proximity of an identical model that is labeled. Materials may include supplemental identifying information such as the trade name or "NYC".

1024.9 Maintenance program

Owners shall keep the required luminous egress path markings in good repair. At a minimum, owners shall, every 12 months, perform a visual inspection of the markings with the normal lighting turned on. Markings that are missing, damaged, loose, or that show signs of wear or missing labels shall be noted and promptly repaired. The log of such inspections, including the results and any corrective measures taken, shall be kept and maintained on the premises for inspection by the department and the Fire Department. The log shall contain the date of inspection and the printed name and signature of the person performing the inspection.

2013 NYC Local Law 141 Section BC 1022.8 Stairway Identification and Floor Level Signs

1022.8 Stairway identification and floor level signs

Signs identifying stairways and floor levels shall comply with Sections 1022.8.1 through 1022.8.4.

1022.8.1 Stairway identification signs

A stairway identification sign indicating each stair by alphabetic letter shall be posted on both sides of each stair door.

1022.8.2 Floor identification signs

A floor identification sign shall be provided at each floor landing within exit enclosures connecting more than three stories. Such sign shall designate:

1. The floor level;
2. The terminus of the top and bottom of the exit enclosure;
3. The identification of the stair or ramp;
4. The story of the exit discharge; and
5. The availability of roof access from the enclosure for the Fire Department.

The signs shall be located 5 feet (1524 mm) above the floor landing in a position that is readily visible when the doors are in the open and closed positions.

1022.8.3 Tactile floor level identification signs

Floor level identification signs in tactile characters complying with ICC A117.1 shall be located at each floor level landing adjacent to the door on the stair side.

1022.8.4 Signage requirements

Stairway and floor identification signs required by Sections 1022.8.1 and 1022.8.2 shall comply with all of the following requirements:

1. The signs shall be a minimum size of 18 inches (457 mm) by 12 inches (305 mm).
2. The alphabetic letters designating the identification of the stair enclosure shall be a minimum of 1½ inches (38 mm) in height.
3. The number designating the floor level shall be a minimum of 5 inches (127 mm) in height and located in the center of the sign.
4. All other lettering and numbers shall be a minimum of 1 inch (25 mm) in height.
5. Characters and their background shall have a nonglare finish. Characters shall contrast with their background, with either light characters on a dark background or dark characters on a light background.
6. When signs required by Section 1022.8 are installed in interior exit enclosures of buildings subject to Section 1024, the signs shall be made of the same luminous materials as required by Section 1024.4.



1022.8.1 Stairway identification signs

- **SID Signs**
Stairway identification signs

1022.8.2 Floor identification signs

- **FID Signs**
Floor identification signs

2013 NYC LOCAL LAW 141 COMPLIANCE QUICK REFERENCE

1024.2.1 Steps - 1024.2.2 Landings

- **E Series**
Photoluminescent contrast strips
- **F / RF Series**
Flat aluminum stair nosings with photoluminescent contrast strips
- **S Series**
Cast-in-place aluminum stair nosings with photoluminescent contrast strips
- **G3001 / G5001 / G6001**
Photoluminescent guidance strip

1024.2.3 Handrails

- **H3001 / H5001**
Handrail strip and end caps – aluminum
- **G250R-H**
Photoluminescent handrail strip – rigid vinyl

1024.2.4 Perimeter demarcation lines

- **T5-G3001 / T8-6001**
Aluminum track and photoluminescent guidance strip
- **G3001 / G5001 / G6001**
Photoluminescent guidance strip – aluminum
- **G250R**
Photoluminescent guidance strip – rigid vinyl

1024.2.5 Obstacles

- **G300R-OB-C**
Photoluminescent obstruction strip – curved rigid vinyl
- **G300R-OB**
Photoluminescent obstruction strip – rigid vinyl
- **OB20025**
Photoluminescent obstruction strip - aluminum
- **OB20025-TP**
Photoluminescent obstruction tape

1024.2.6.1 Emergency exit symbol

- **R Series**
Running man photoluminescent directional and door exit signs – aluminum
- **R-G250R Series**
Running man photoluminescent directional and door exit signs – rigid vinyl

1024.2.6.2 Door hardware markings

- **DHM Series**
Door hardware indicators

1024.2.6.3 Door frame markings

- **T8-6001**
Aluminum track and photoluminescent guidance strip
- **G5001 / G6001**
Photoluminescent guidance strip – aluminum
- **G250R**
Photoluminescent guidance strip – rigid vinyl

1024.4 Self-luminous and photoluminescent

All components UL 1994 listed and/or ASTM E 2072 compliant

1022.8 Stairway identification and floor level signs

- **SID**
Stairway identification signs
- **FID**
Floor identification signs