

Compliance Guide

2009 IFC/IBC 1024 LUMINOUS EGRESS PATH MARKINGS

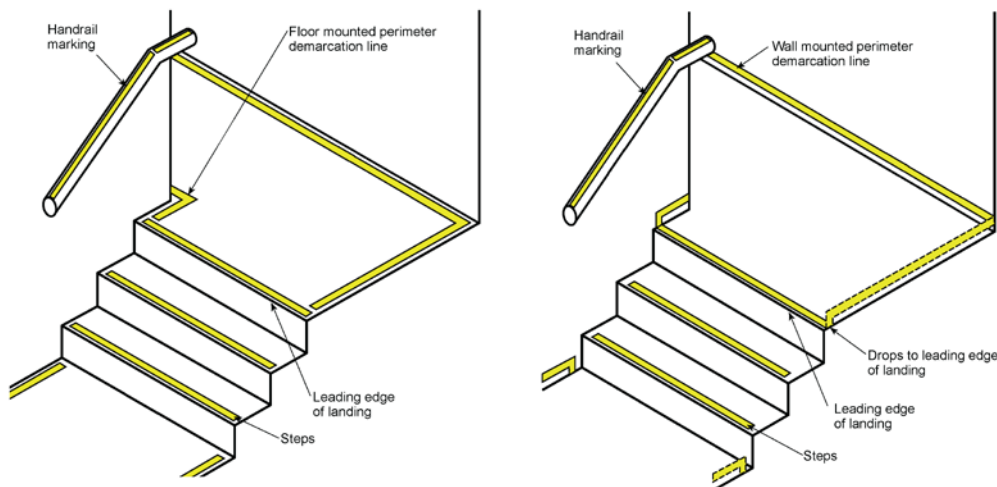
1024.1 General

Approved luminous egress path markings delineating the exit path shall be provided in buildings of Groups A, B, E, I, M and R-1 having occupied floors located more than 75 feet (22 860 mm) above the lowest level of fire department vehicle access in accordance with Sections 1024.1 through 1024.5.

Applicable Occupancy Groups:
• A - Assembly
• B - Business
• E - Educational
• R1 - Transient Residential
• I - Institutional
• M - Mercantile

1024.2 Markings within exit enclosures

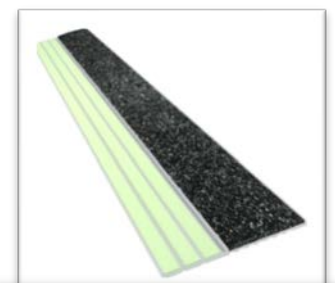
Egress path markings shall be provided in *exit enclosures*, including vertical *exit enclosures* and *exit passageways*, in accordance with Sections 1024.2.1 through 1024.2.6.



1024.2.1 Steps

A solid and continuous stripe shall be applied to the horizontal leading edge of each step and shall extend for the full length of the step. Outlining stripes shall have a minimum horizontal width of 1 inch (25 mm) and a maximum width of 2 inches (51 mm). The leading edge of the stripe shall be placed at a maximum of 1/2 inch (12.7 mm) from the leading edge of the step and the stripe shall overlap the leading edge of the step by not more than 1/2 inch (12.7 mm) down the vertical face of the step.

Exception: The minimum width of 1 inch (25 mm) shall not apply to outlining stripes *listed* in accordance with UL 1994.



CLICK HERE
To View Code Compliant Ecoglo Step Edge Products

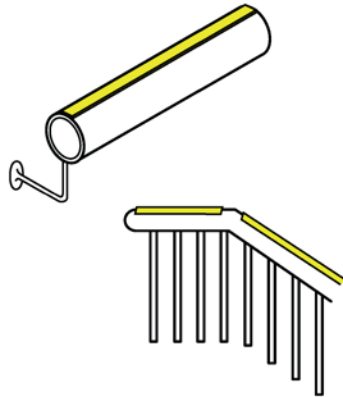
1024.2.2 Landings

The leading edge of landings shall be marked with a stripe consistent with the dimensional requirements for steps.

1024.2.3 Handrails

All *handrails* and *handrail* extensions shall be marked with a solid and continuous stripe having a minimum width of 1 inch (25 mm). The stripe shall be placed on the top surface of the *handrail* for the entire length of the *handrail*, including extensions and newel post caps. Where *handrails* or *handrail* extensions bend or turn corners, the stripe shall not have a gap of more than 4 inches (102 mm).

Exception: The minimum width of 1 inch (25 mm) shall not apply to outlining stripes *listed* in accordance with UL 1994.



CLICK HERE
To View Code Compliant Ecoglo
Handrail Marking Products

1024.2.4 Perimeter demarcation lines

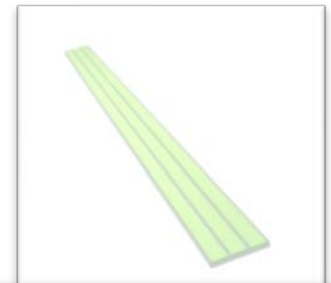
Stair landings and other floor areas within *exit enclosures*, with the exception of the sides of steps, shall be provided with solid and continuous demarcation lines on the floor or on the walls or a combination of both. The stripes shall be 1 to 2 inches (25 mm to 51 mm) wide with interruptions not exceeding 4 inches (102 mm).

Exception: The minimum width of 1 inch (25 mm) shall not apply to outlining stripes *listed* in accordance with UL 1994.

1024.2.4.1 Floor-mounted demarcation lines

Perimeter demarcation lines shall be placed within 4 inches (102 mm) of the wall and shall extend to within 2 inches (51 mm) of the markings on the leading edge of landings. The demarcation lines shall continue across the floor in front of all doors.

Exception: Demarcation lines shall not extend in front of *exit* doors that lead out of an *exit enclosure* and through which occupants must travel to complete the exit path.



CLICK HERE
To View Code Compliant Ecoglo
Perimeter Marking Products

1024.2.4.2 Wall-mounted demarcation lines

Perimeter demarcation lines shall be placed on the wall with the bottom edge of the stripe no more than 4 inches (102 mm) above the finished floor. At the top or bottom of the *stairs*, demarcation lines shall drop vertically to the floor within 2 inches (51 mm) of the step or landing edge. Demarcation lines on walls shall transition vertically to the floor and then extend across the floor where a line on the floor is the only practical method of outlining the path. Where the wall line is broken by a door, demarcation lines on walls shall continue across the face of the door or transition to the floor and extend across the floor in front of such door.

Exception: Demarcation lines shall not extend in front of *exit* doors that lead out of an *exit enclosure* and through which occupants must travel to complete the exit path.

1024.2.4.3 Transition

Where a wall-mounted demarcation line transitions to a floor-mounted demarcation line, or vice versa, the wall-mounted demarcation line shall drop vertically to the floor to meet a complementary extension of the floor-mounted demarcation line, thus forming a continuous marking.

1024.2.5 Obstacles

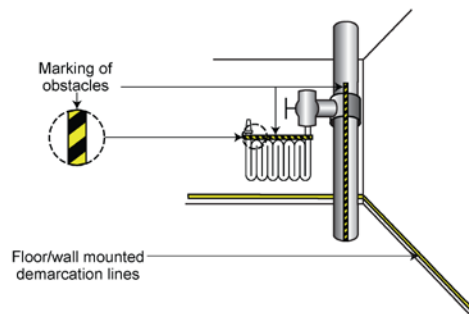
Obstacles at or below 6 feet 6 inches (1981 mm) in height and projecting more than 4 inches (102 mm) into the egress path shall be outlined with markings no less than 1 inch (25 mm) in width comprised of a pattern of alternating equal bands, of luminescent luminous material and black, with the alternating bands no more than 2 inches (51 mm) thick and angled at 45 degrees (0.79 rad).

Obstacles shall include, but are not limited to, standpipes, hose cabinets, wall projections and restricted height areas. However, such markings shall not conceal any required information or indicators including, but not limited to, instructions to occupants for the use of standpipes.



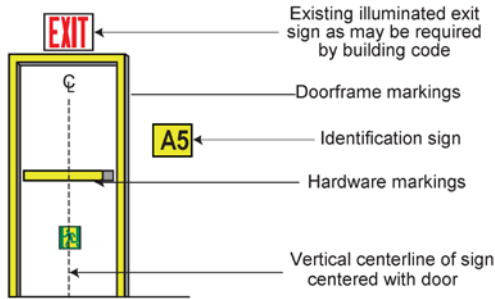
CLICK HERE

To View Code Compliant Ecoglo
Obstruction Marking Products



1024.2.6 Doors from exit enclosures

Doors through which occupants within an *exit enclosure* must pass in order to complete the exit path shall be provided with markings complying with Sections 1024.2.6.1 through 1024.2.6.3.



1024.2.6.1 Emergency exit symbol



The doors shall be identified by a low-location luminous emergency exit symbol complying with NFPA 170. The exit symbol shall be a minimum of 4 inches (102 mm) in height and shall be mounted on the door, centered horizontally, with the top of the symbol no higher than 18 inches (457 mm) above the finished floor.

1024.2.6.2 Door hardware markings

Door hardware shall be marked with no less than 16 square inches (406 mm²) of luminous material. This marking shall be located behind, immediately adjacent to or on the door handle and/or escutcheon. Where a panic bar is installed, such material shall be no less than 1 inch (25 mm) wide for the entire length of the actuating bar or touchpad.

1024.2.6.3 Door frame markings

The top and sides of the door frame shall be marked with a solid and continuous 1 inch to 2 inch (25 mm to 51 mm) wide stripe. Where the door molding does not provide sufficient flat surface on which to locate the stripe, the stripe shall be permitted to be located on the wall surrounding the frame.

1024.3 Uniformity

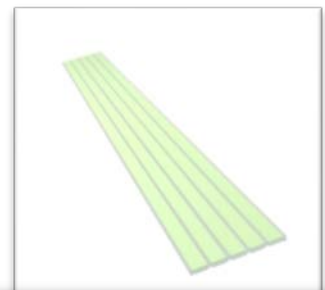
Placement and dimensions of markings shall be consistent and uniform throughout the same *exit enclosure*.



CLICK HERE
To View Code Compliant Ecoglo
Directional Signage Products



CLICK HERE
To View Code Compliant Ecoglo
Door Hardware Marking Products



CLICK HERE
To View Code Compliant Ecoglo
Door Frame Marking Products

1024.4 Self-luminous and photoluminescent

Luminous egress path markings shall be permitted to be made of any material, including paint, provided that an electrical charge is not required to maintain the required luminance. Such materials shall include, but are not limited to, *self-luminous* materials and *photoluminescent* materials. Materials shall comply with either:

1. UL 1994; or
2. ASTM E 2072, except that the charging source shall be 1 foot candle (11 lux) of fluorescent illumination for 60 minutes, and the minimum luminance shall be 30 millicandelas per square meter at 10 minutes and 5 millicandelas per square meter after 90 minutes.



1024.4 Self-luminous and photoluminescent
All components UL 1994 listed and/or ASTM E 2072 compliant

1024.5 Illumination

Exit enclosures where photoluminescent exit path markings are installed shall be provided with the minimum *means of egress* illumination required by Section 1006 for at least 60 minutes prior to periods when the building is occupied.

COMPLIANCE QUICK REFERENCE

2009 IFC/IBC 1024 Luminous Egress Path Markings

1024.2.1 Steps - 1024.2.2 Landings

- **E Series**
Photoluminescent contrast strips
- **F / RF Series**
Flat aluminum stair nosings with photoluminescent contrast strips
- **S Series**
Cast-in-place aluminum stair nosings with photoluminescent contrast strips
- **G-Series**
Photoluminescent guidance strip

Applicable Occupancy Groups:
• A - Assembly
• B - Business
• E - Educational
• R1 - Transient Residential
• I - Institutional
• M - Mercantile

1024.2.3 Handrails

- **H Series**
Handrail strip and end caps
- **G-Series**
Photoluminescent guidance strip

1024.2.4 Perimeter demarcation lines

- **G-Series**
Photoluminescent guidance strip

1024.2.5 Obstacles

- **G250R-OB(C)**
Photoluminescent obstruction strip
- **G300F-OB**
Photoluminescent obstruction tape

1024.2.6.1 Emergency exit symbol

- **R Series**
Running man photoluminescent directional and door exit signs

1024.2.6.2 Door hardware markings

- **DHM Series**
Door hardware indicators

1024.2.6.3 Door frame markings

- **G-Series**
Photoluminescent guidance strip

1024.4 Self-luminous and photoluminescent

All components UL 1994 listed and/or ASTM E 2072 compliant