

Compliance Guide

2015 IFC/IBC 1025 LUMINOUS EGRESS PATH MARKINGS

1025.1 General

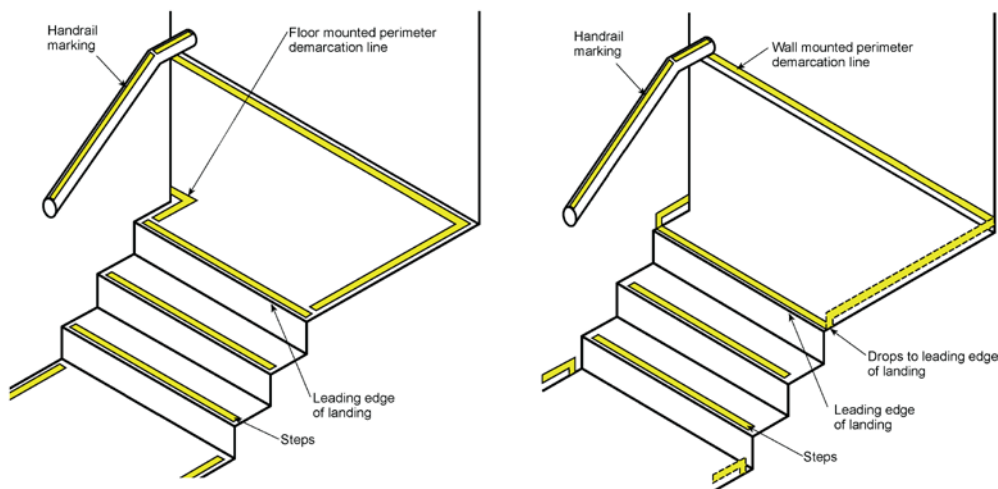
Approved luminous egress path markings delineating the exit path shall be provided in high-rise buildings of Group A, B, E, I, M, and R-1 occupancies in accordance with Sections 1025.1 through 1025.5.

Exception: Luminous egress path markings shall not be required on the *level of exit discharge* in lobbies that serve as part of the exit path in accordance with Section 1028.1, Exception 1.

Applicable Occupancy Groups:
• A - Assembly
• B - Business
• E - Educational
• I - Institutional
• M - Mercantile
• R-1 - Transient Residential

1025.2 Markings within exit components

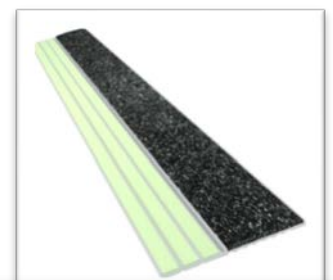
Egress path markings shall be provided in *interior exit stairways*, *interior exit ramps* and *exit passageways*, in accordance with Sections 1025.2.1 through 1025.2.6.



1025.2.1 Steps

A solid and continuous stripe shall be applied to the horizontal leading edge of each step and shall extend for the full length of the step. Outlining stripes shall have a minimum horizontal width of 1 inch (25 mm) and a maximum width of 2 inches (51 mm). The leading edge of the stripe shall be placed not more than 1/2 inch (12.7 mm) from the leading edge of the step and the stripe shall not overlap the leading edge of the step by not more than 1/2 inch (12.7 mm) down the vertical face of the step.

Exception: The minimum width of 1 inch (25 mm) shall not apply to outlining stripes listed in accordance with UL 1994.



CLICK HERE
To View Code Compliant Ecoglo Step Edge Products

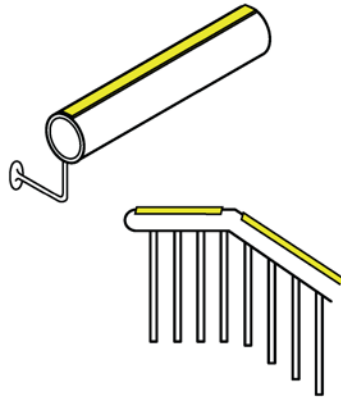
1025.2.2 Landings

The leading edge of landings shall be marked with a stripe consistent with the dimensional requirements for steps.

1025.2.3 Handrails

Handrails and handrail extensions shall be marked with a solid and continuous stripe having a minimum width of 1 inch (25 mm). The stripe shall be placed on the top surface of the *handrail* for the entire length of the *handrail*, including extensions and newel post caps. Where *handrails* or handrail extensions bend or turn corners, the stripe shall not have a gap of more than 4 inches (102 mm).

Exception: The minimum width of 1 inch (25 mm) shall not apply to outlining stripes listed in accordance with UL 1994.



CLICK HERE
To View Code Compliant Ecoglo
Handrail Marking Products

1025.2.4 Perimeter demarcation lines

Stair landings and other floor areas within *interior exit stairways*, *interior exit ramps* and *exit passageways*, with the exception of the sides of steps, shall be provided with solid and continuous demarcation lines on the floor or on the walls or a combination of both. The stripes shall be 1 to 2 inches (25 mm to 51 mm) wide with interruptions not exceeding 4 inches (102 mm).

Exception: The minimum width of 1 inch (25 mm) shall not apply to outlining stripes *listed* in accordance with UL 1994.

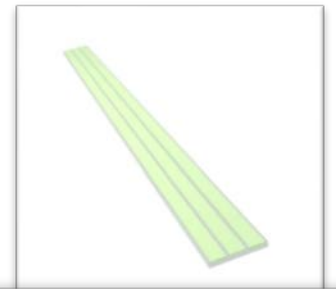
1025.2.4.1 Floor-mounted demarcation lines

Perimeter demarcation lines shall be placed within 4 inches (102 mm) of the wall and shall extend to within 2 inches (51 mm) of the markings on the leading edge of landings. The demarcation lines shall continue across the floor in front of all doors.

Exception: Demarcation lines shall not extend in front of *exit discharge* doors that lead out of an *exit* and through which occupants must travel to complete the exit path.

1025.2.4.2 Wall-mounted demarcation lines

Perimeter demarcation lines shall be placed on the wall with the bottom edge of the stripe not more than 4 inches (102 mm) above the finished floor. At the top or bottom of the *stairs*, demarcation lines



CLICK HERE
To View Code Compliant Ecoglo
Perimeter Marking Products

shall drop vertically to the floor within 2 inches (51 mm) of the step or landing edge. Demarcation lines on walls shall transition vertically to the floor and then extend across the floor where a line on the floor is the only practical method of outlining the path. Where the wall line is broken by a door, demarcation lines on walls shall continue across the face of the door or transition to the floor and extend across the floor in front of such door.

Exception: Demarcation lines shall not extend in front of *exit discharge* doors that lead out of an *exit* and through which occupants must travel to complete the exit path.

1025.2.4.3 Transition

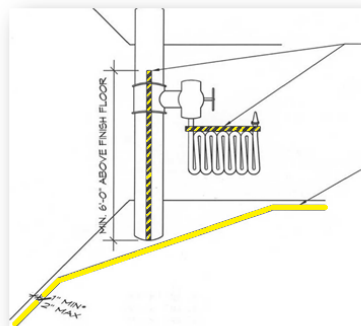
Where a wall-mounted demarcation line transitions to a floor-mounted demarcation line, or vice-versa, the wall-mounted demarcation line shall drop vertically to the floor to meet a complimentary extension of the floor-mounted demarcation line, thus forming a continuous marking.

1025.2.5 Obstacles

Obstacles at or below 6 feet 6 inches (1981 mm) in height and projecting more than 4 inches (102 mm) into the egress path shall be outlined with markings not less than 1 inch (25 mm) in width comprised of a pattern of alternating equal bands, of luminous material and black, with the alternating bands not more than 2 inches (51 mm) thick and angled at 45 degrees (0.79 rad). Obstacles shall include, but are not limited to, standpipes, hose cabinets, wall projections, and restricted height areas. However, such markings shall not conceal any required information or indicators including but not limited to instructions to occupants for the use of standpipes.

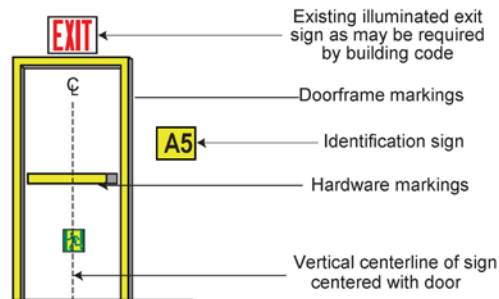


CLICK HERE
To View Code Compliant Ecoglo
Obstruction Marking Products



1025.2.6 Doors within the exit path

Doors through which occupants must pass in order to complete the exit path shall be provided with markings complying with Sections 1025.2.6.1 through 1025.2.6.3.



1025.2.6.1 Emergency exit symbol



The doors shall be identified by a low-location luminous emergency exit symbol complying with NFPA 170. The exit symbol shall be not less than 4 inches (102 mm) in height and shall be mounted on the door, centered horizontally, with the top of the symbol not higher than 18 inches (457 mm) above the finished floor.

1025.2.6.2 Door hardware markings

Door hardware shall be marked with not less than 16 square inches (406 mm²) of luminous material. This marking shall be located behind, immediately adjacent to, or on the door handle or escutcheon. Where a panic bar is installed, such material shall be not less than 1 inch (25 mm) wide for the entire length of the actuating bar or touchpad.

1025.2.6.3 Door frame markings

The top and sides of the door frame shall be marked with a solid and continuous 1-inch- to 2-inch-wide (25 mm to 51 mm) stripe. Where the door molding does not provide sufficient flat surface on which to locate the stripe, the stripe shall be permitted to be located on the wall surrounding the frame.

1025.3 Uniformity

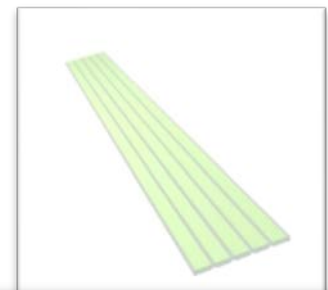
Placement and dimensions of markings shall be consistent and uniform throughout the same enclosure.



CLICK HERE
To View Code Compliant Ecoglo
Directional Signage Products



CLICK HERE
To View Code Compliant Ecoglo
Door Hardware Marking Products



CLICK HERE
To View Code Compliant Ecoglo
Door Frame Marking Products

1025.4 Self-luminous and photoluminescent

Luminous egress path markings shall be permitted to be made of any material, including paint, provided that an electrical charge is not required to maintain the required luminance. Such materials shall include, but not be limited to, *self-luminous* materials and *photoluminescent* materials. Materials shall comply with either of the following standards:

1. UL 1994.
2. ASTM E 2072, except that the charging source shall be 1 footcandle (11 lux) of fluorescent illumination for 60 minutes, and the minimum luminance shall be 30 milicandelas per square meter at 10 minutes and 5 milicandelas per square meter after 90 minutes.



1025.4 Self-luminous and photoluminescent
All components UL 1994 listed and/or ASTM E 2072 compliant

1025.5 Illumination

Where *photoluminescent* exit path markings are installed, they shall be provided with not less than 1 footcandle (11 lux) of illumination for not less than 60 minutes prior to periods when the building is occupied and continuously during the building occupancy.

2015 IFC/IBC 1023.9 STAIRWAY IDENTIFICATION SIGNS

1023.9 Stairway identification signs

A sign shall be provided at each floor landing in an *interior exit stairway* and *ramp* connecting more than three stories designating the floor level, the terminus of the top and bottom of the *interior exit stairway* and *ramp* and the identification of the *stairway* or of, and the direction to, the *exit* from the *interior exit stairway* and *ramp* located 5 feet (1524 mm) above the floor when the doors are in the open and identification sign, a floor-level sign in braille complying with ICC A117.1 shall be to the door leading from the *interior exit stairway* and *ramp* into the *corridor* to identify the floor level.



1023.9 Stairway Identification Signs

- **FID Signs**
Floor identification signs

ramp. The signage shall also state the story *discharge* and the availability of roof access for the fire department. The sign shall be landing in a position that is readily visible closed positions. In addition to the *stairway* visual characters, raised characters and located at each floor-level landing adjacent and *ramp* into the *corridor* to identify the floor level.

1023.9.1 Signage requirements

Stairway identification signs shall comply with all of the following requirements:

1. The signs shall be a minimum size of 18 inches (457 mm) by 12 inches (305 mm).
2. The letters designating the identification of the *interior exit stairway* and *ramp* shall be not less than 1¹/₂ inches (38 mm) in height.
3. The number designating the floor level shall be not less than 5 inches (127 mm) in height and located in the center of the sign.
4. Other lettering and numbers shall be not less than 1 inch (25 mm) in height.
5. Characters and their background shall have a non-glare finish. Characters shall contrast with their background, with either light characters on a dark background or dark characters on a light background.
6. Where signs required by Section 1023.9 are installed in the *interior exit stairways* and *ramps* of buildings subject to Section 1025, the signs shall be made of the same materials as required by Section 1025.4.

2015 IFC/IBC COMPLIANCE QUICK REFERENCE

1025.2.1 Steps - 1025.2.2 Landings

- **E Series**
Photoluminescent contrast strips
- **F / RF Series**
Flat aluminum stair nosings with photoluminescent contrast strips
- **S Series**
Cast-in-place aluminum stair nosings with photoluminescent contrast strips
- **G3001 / G6001**
Photoluminescent guidance strip

Applicable Occupancy Groups:
• A - Assembly
• B - Business
• E - Educational
• I - Institutional
• M - Mercantile
• R-1 - Transient Residential

1025.2.3 Handrails

- **H Series**
Handrail strip and end caps
- **G3001 / G6001**
Photoluminescent guidance strip

1025.2.4 Perimeter demarcation lines

- **T5-G3001 / T8-6001**
Aluminum track and photoluminescent guidance strip
- **G3001 / G6001**
Photoluminescent guidance strip

1025.2.5 Obstacles

- **OB20025**
Photoluminescent obstruction strip
- **OB20025-TP**
Photoluminescent obstruction tape

1025.2.6.1 Emergency exit symbol

- **R Series**
Running man photoluminescent directional and door exit signs

1025.2.6.2 Door hardware markings

- **DHM Series**
Door hardware indicators

1025.2.6.3 Door frame markings

- **G6001**
Photoluminescent guidance strip

1025.4 Self-luminous and photoluminescent

All components UL 1994 listed and/or ASTM E 2072 compliant

1023.9 Stairway identification signs

- **FID**
Floor identification signs